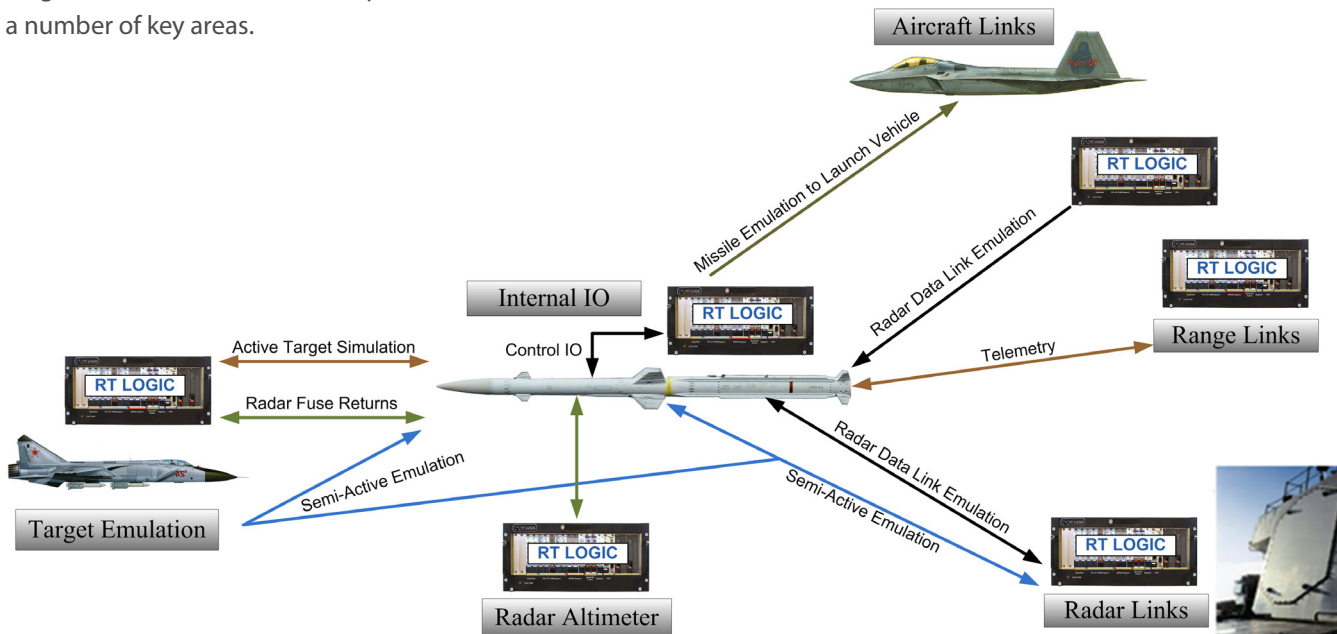


## Advanced Solutions for Precision Weapons

RT Logic's scalable Missile Test solutions can provide Radio Frequency (RF), Intermediate Frequency (IF), Analog, and Digital interfaces for a variety of weapon under test scenarios. With their proven high Technology Readiness Level (TRL) solutions, RT Logic can address key areas within the Subsystem Development, Hardware In The Loop (HIL), Software In the Loop (SIL), production, and field test arenas.

### Solution Areas

RT Logic's flexible architecture can provides solutions in a number of key areas.



#### Radar Data Link Emulation:

AN/SPY-1 radar, AN/SPY-3 radar, APAR, F-22; radar AEGIS, Terrier/Tartar (2T), P<sup>3</sup>I/JUWL, ICWI/2T, classified; L-Band, S-Band, C-Band, X-Band, Ku-Band.

#### Platforms:

Standard missile, AIM9x, AMRAAM, ESSM, F-22, classified.

#### Target Emulation:

Active radar seeker, semi-active radar seeker, fuse, radar altimeter static or dynamic scenarios DRFM based manipulation of Doppler, Delay, Gain, and Noise.

#### Telemetry:

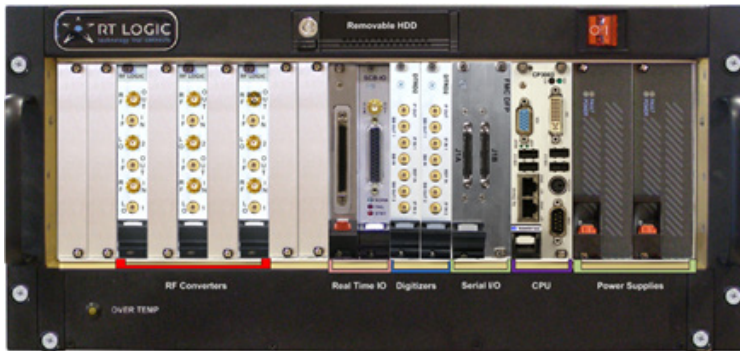
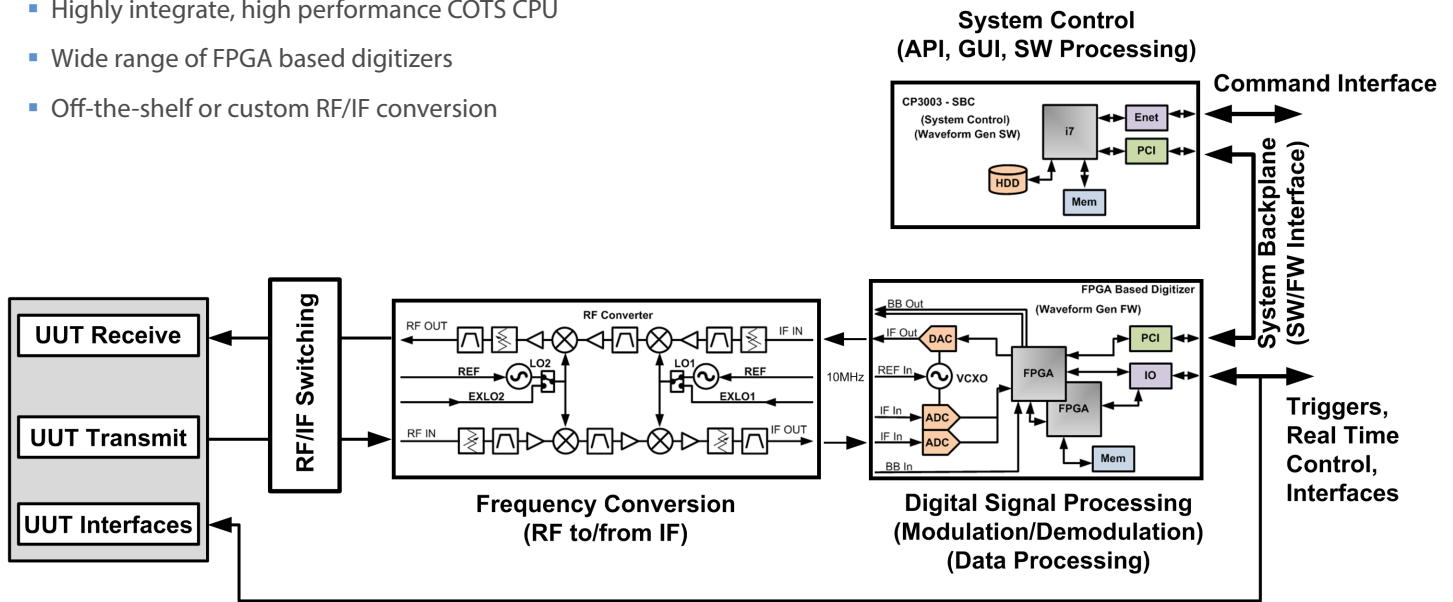
RF or hard-line clear or encrypted.

#### Custom IO:

RS-422, RS-232, LVDS, custom.

## System Architecture

- Highly integrate, high performance COTS CPU
- Wide range of FPGA based digitizers
- Off-the-shelf or custom RF/IF conversion



## Flexible Platform

- 2U, 5U, or custom rack mount systems
- Windows 7 or Linux OS
- Highly configurable and expandable
- Local operation or via remote control from a customer client
- Easily declassified for operation in various environments

## Proven Benefits

- Assured mission success
- Low risk with competitive cost
- Short lead time
- Extended lifecycle support